



SUNGOV ENGINEERING PRIVATE LIMITED



DBX Series

Duplex Basket Strainers

Salient Features

- No shutdown time necessary for cleaning
- Online change over to either of the strainer vessels
- Dimensional flexibility due to fabricated construction
- Both inline and offline construction available

Design Features

- All welders are qualified to ASME Section IX. Welders qualified for PED 97/23 certified pressure vessels also available
- Custom modifications available to suit customer requirements
- Strainers designed to meet requirements of ASME Section VIII Div 1 and/or ASME B31.1 and/or ASME B31.3
- Ball, gate, butterfly or other isolation valve types may be used for diversion and isolation of flow
- AISI 304 perforated screens/mesh are standard
- Drains, vents, and differential connections are standard and are furnished with plugs
- Special covers available upon request

Available materials of construction

- Carbon steel
- Low temperature carbon steel
- Stainless steel

Consult factory for other materials of construction

End Connections

- Flat faced
- Raised face
- RTJ Flanged
- Butt Weld

Size Range*

- 1" to 20"
- #150 & #300

Applications

- Process Industry
- Power Industry
- Chemical Industry
- Oil and Gas Industry
- Pulp and Paper Industry
- Pharmaceutical Industry
- Metals and Mining Industry
- Water and Waste Management
- Fire Fighting Industry

* Other sizes and classes can also be offered. Please indicate your requirements.

Standard Parts List

Part List	DBXA1	DBXA2	DBXB1	DBXB2
Strainer Shell & Nozzle	ASTM A106 Gr. B	AISI 304	ASTM A106 Gr. B	AISI 304
End & Top Flanges	ASTM A105#150 WNRF	ASTM A182 Gr. F304 #150 WNRF	ASTM A105 #300 WNRF	ASTM A182 Gr. F304 #300 WNRF
Cover Flange	ASTM A105 #150 BLRF	ASTM A182 Gr. F304 #150 BLRF	ASTM A105 #300 BLRF	ASTM A182 Gr. F304 #300 BLRF
Screen & Mesh*	AISI 304	AISI 304	AISI 304	AISI 304
Gasket	Asbestos Free	Teflon	Spiral Wound AISI304/Asbestos Free	Spiral Wound AISI304/Teflon
Fasteners	ASTM A193 Gr. B7M ASTM A194 Gr. 2HM	ASTM A193 Gr. B8MA ASTM A194 Gr. 8MA	ASTM A193 Gr. B7M ASTM A194 Gr. 2HM	ASTM A193 Gr. B8MA ASTM A194 Gr. 8MA
Valves	Carbon Steel Ball Valve or Butterfly Valve	Stainless Steel Ball Valve or Butterfly Valve	Carbon Steel Ball Valve or Butterfly Valve	Stainless Steel Ball Valve or Butterfly Valve
Drain & Vent Plugs	ASTM A105	AISI 304	ASTM A105	AISI 304

* MESH SIZE IS BASED ON CUSTOMER'S REQUIREMENT

Notes:

1. The list is indicative of our standard offerings. It is subject to change.
2. DBXA2 and DBXB2 can be offered in AISI 316 construction too. Consult factory.
3. Consult factory for other combinations.

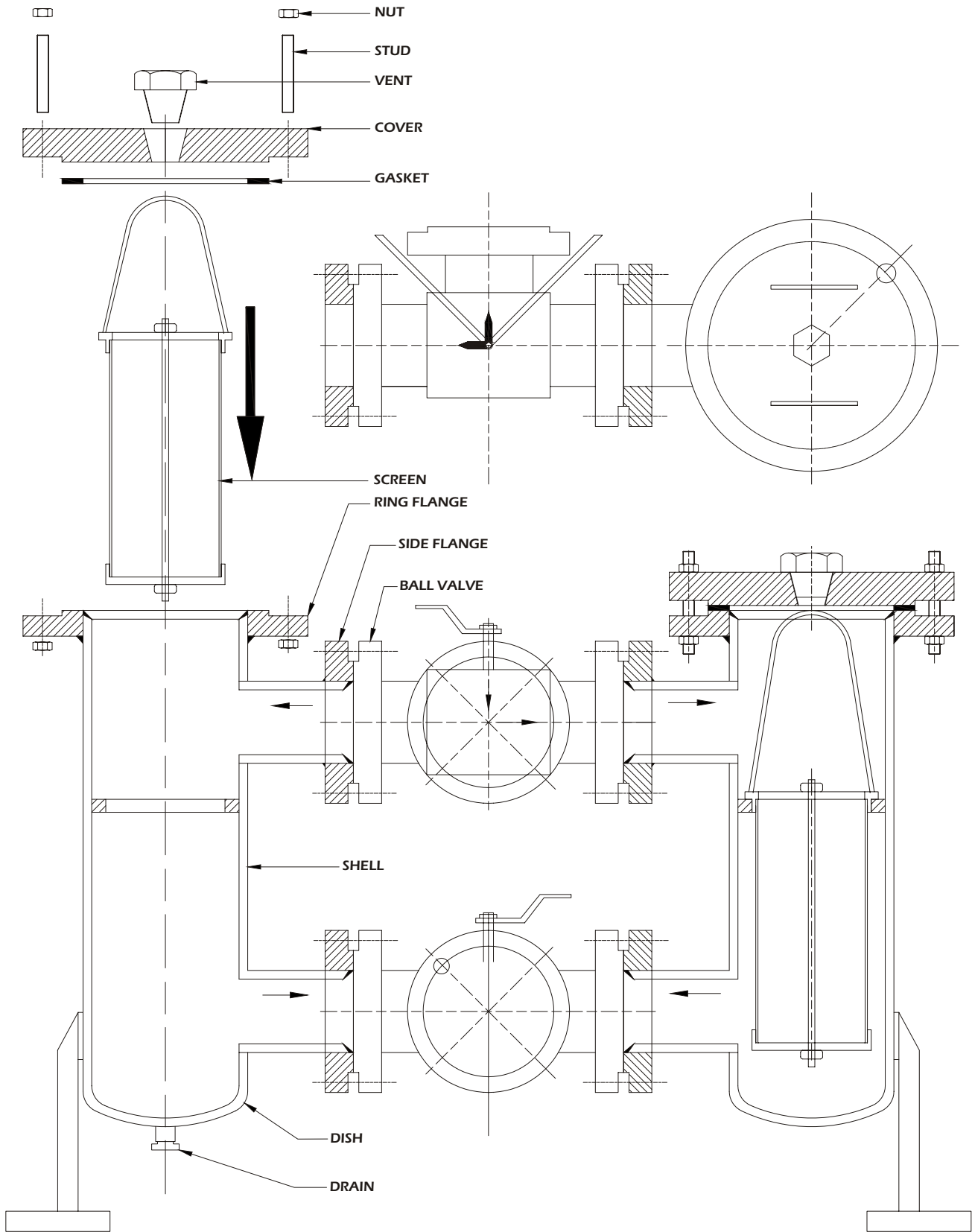
Optional Accessories and Spares:

To derive maximum value for your investment, consider the following accessories:

1. Inlet and outlet pressure gauges
 - a. Check inlet and outlet pressure
 - b. The difference gives you the pressure drop across the strainer
2. Differential pressure indicator
 - a. The reading on the gauge directly gives the pressure drop across the strainer
3. Special cover arrangements
 - a. Davit Assembly arrangement



Exploded Drawing



How to Order - General

1 Size of Strainer	2 Type of Strainer	3 End Connection	4 ASME Pressure Rating	5 Material of Construction	6 Special / Other
<ul style="list-style-type: none"> • 1/4" & larger 	<ul style="list-style-type: none"> • Y - Type • Basket Type • Tee Type • Wafer Type • Temporary • Duplex Basket Type 	<ul style="list-style-type: none"> • Raised Face • Flat Face • RTJ (Ring Joint) • NPT Screwed • Socket Weld • Butt Weld • Wafer Flat Face 	<ul style="list-style-type: none"> • #125 • #150 • #300 • #600 • #900 • #1500 • #2500 	<ul style="list-style-type: none"> • Carbon Steel • Low temp Carbon Steel • Stainless Steel • Other Alloy Steel 	<ul style="list-style-type: none"> • Nace Compliance • Special N.D.E. • PED 97/23/EC (CE Mark) Compliance • Other Special

How to Order - Custom

Designing a strainer to suit your requirement is our foremost priority. Help us help you better by providing us with the following details:

PHOTOCOPY THIS PAGE, FILL IT UP AND SEND IT TO US FOR YOUR REQUIREMENT

Description	Value
Size of Strainer Required	
Type of Strainer Required	
End Connection Required	
ASME Pressure Rating Required	
Fluid Viscosity	
Fluid Specific Gravity	
Design Pressure	
Design Temperature	
Design Fluid Flow Rate	
Desired Pressure Drop (Clean)	
Desired Pressure Drop (50% Clogged)	
Desired Material of Construction	
Desired Filtration Level (Mesh Size)	
Desired NDT (RT, LPT, MT, PAMI)	
Special Code/Standard Compliance (if any)	
Clearance Limitations (if any)	
Other Inspection/Testing Services (if any)	
Other Remarks (if any)	



Sungov Engineering Private Limited

Regd Off: 160, Baba Nagar, Villivakkam, Chennai - 600 049. India
 Fax: 91-44-2650 1408, Tel: 2650 1404, 2650 1536
 Works: K27, Ambattur Industrial Estate, Chennai - 600 058. India
 Tel: 2635 9940, 2624 8230. E-mail: sungov@vsnl.com
 Website: www.sungov.com